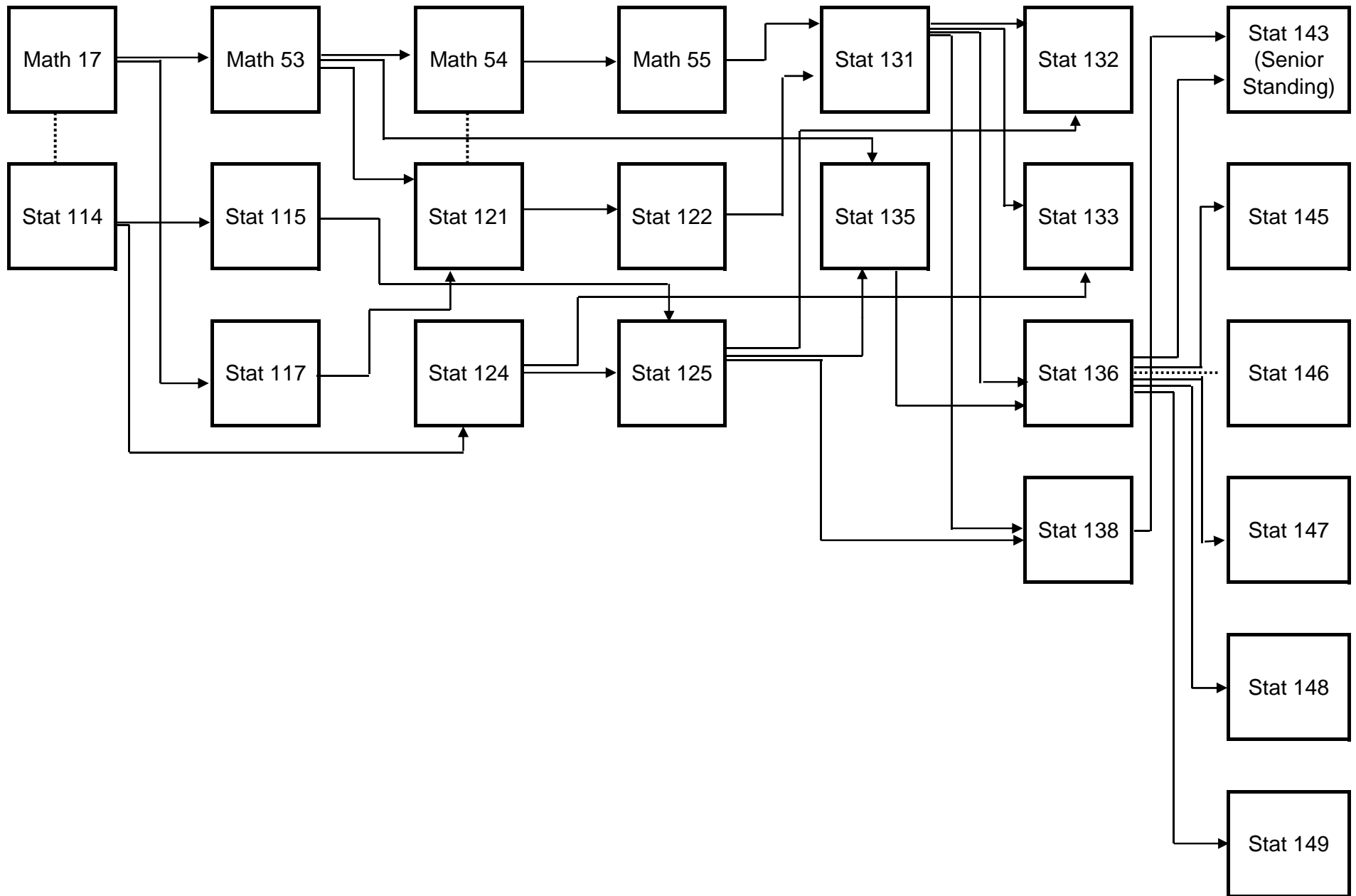


**B. S. (STATISTICS) PROGRAM**  
**Flowchart for Major Courses**



**B. S. (STATISTICS) PROGRAM**  
**Flowchart for Elective Courses**

